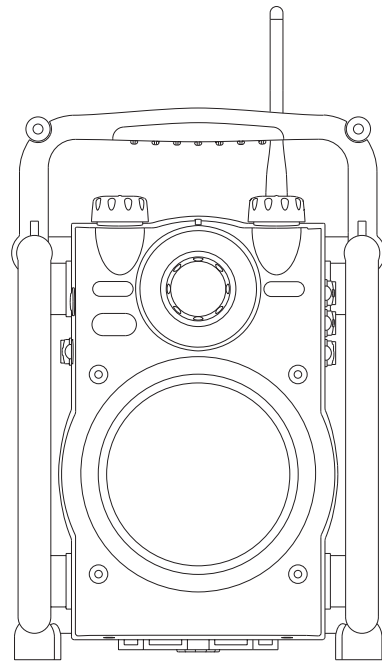


# U1



**GB**

Rersion 1



## **IMPORTANT SAFETY INSTRUCTIONS**

1. Read these instructions.
2. Keep these instructions.
3. Heed all warnings.
4. Follow all instructions.
5. Do not use this apparatus near water.
6. Clean only with dry cloth.
7. Do not block any ventilation openings. Install in accordance with the manufacturer's instructions.
8. Do not install near any heat sources such as radiators, heat registers, stoves, or other apparatus (including amplifiers) that produce heat.
9. Do not defeat the safety purpose of the polarized or grounding-type plug. A polarized plug has two blades with one wider than the other. A grounding type plug has two blades and a third grounding prong. The wide blade or the third prong are provided for your safety. If the provided plug does not fit into your outlet. consult an electrician for replacement of the obsolete outlet.

10. Protect the power cord from being walked on or pinched particularly at plugs, convenience receptacles, and the point where they exit from the apparatus.

**CB**

11. Only use attachments/accessories specified by the manufacturer.

12. Use only with the cart, stand, tripod, bracket, or table specified by the manufacturer, or sold with the apparatus. When a cart is used, use caution when moving the cart/apparatus combination to avoid injury from tip-over.

13. Unplug this apparatus during lightning storms or when unused for long periods of time.

14. Refer all servicing to qualified service personnel. Servicing is required when the apparatus has been damaged in any way, such as power-supply cord or plug is damaged. liquid has been spilled or objects have fallen into the apparatus, the apparatus has been exposed to rain or moisture, does not operate normally, or has been dropped.

15. To Reduce the Risk of Fire or Electric Shock, Do not Expose This Appliance To Rain or Moisture.

16. The Shock Hazard Marking and Associated Graphical Symbol is provided on the bottom panel of unit.

17. Apparatus shall not be exposed to dripping or splashing and no objects filled with liquids, shall not be placed on the apparatus.

18. Batteries (battery pack or batteries installed) shall not be exposed to excessive heat such as sunshine, fire or the like.

The U-1 is designed and manufactured to meet the satisfaction of usage around the house, yard, garage, campsite and worksite. The full range 6 1/2 inches speakers produces high quality rich sound. The high impact cushion around the radio is made to endure a five-foot drop and also water resistant housing provides protection when used poolside, by the lake and outdoors.

The apparatus is not for permanent outdoor use.

The U-1 has been fully tested to be certain it meets Sangean quality control standards. Please read this manual carefully before using it to make sure you realize all the outstanding features built into this terrific radio set.

### ***Warning!***

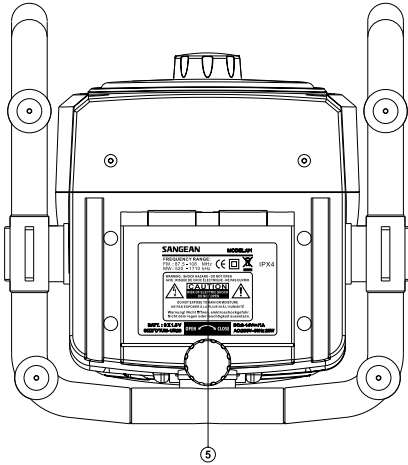
- \* To avoid electric shock when using the appliance outdoors, use the battery only when the weather is wet.***
  
- \* Do not plug the AC lead into the AC outlet if the outlet is still wet. Make sure that the outlet is dry before and after use.***
  
- \* Please use the rubber covers for DC IN/AUX IN/MIC IN/ EARPONE when using the appliance outdoors. If water gets into the appliance it may cause electric shock.***



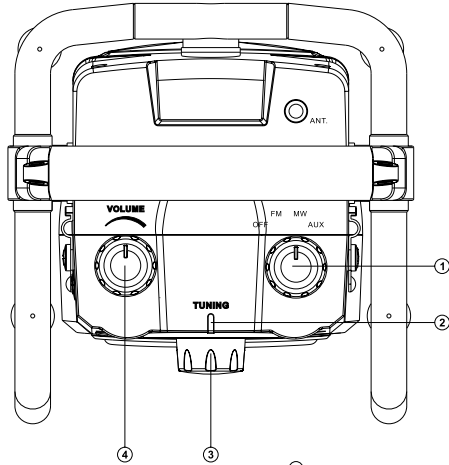
## Main features

- (1) Ultra rugged AM/FM 2 bands radio.
- (2) Water resistant up to JIS 4 standard.
- (3) Soft bended spring antenna.
- (4) Rotary tuning and volume controls.
- (5) Tuning LED indicator.
- (6) LED illuminator.
- (7) Dial Scale with back light.
- (8) Dynamic Bass Compensation for rich bass.
- (9) 9-14V DC jack for vehicle and boat power.
- (10) Earphones socket.
- (11) AUX IN socket.
- (12) Microphone IN socket.
- (13) 6 1/2 inches 15 Watts full range speaker.
- (14) AC wire compartment.
- (15) High sensitivity, excellent sound performance.

CB



5

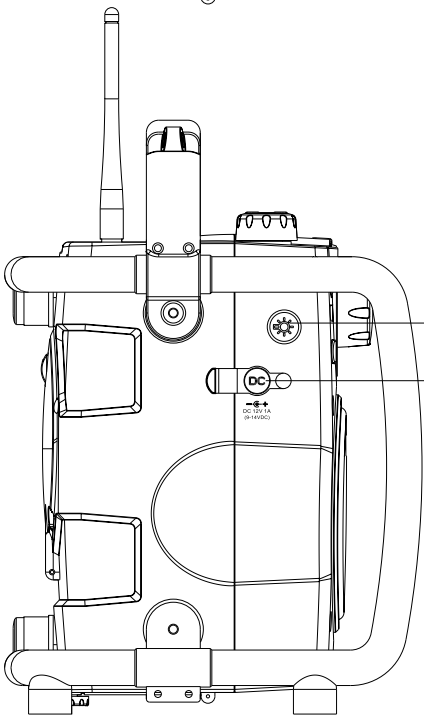


4

3

1

2

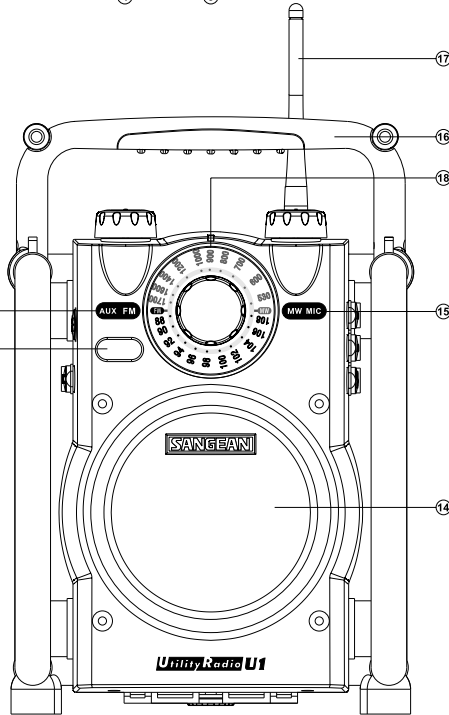


6

7

8

9



17

16

18

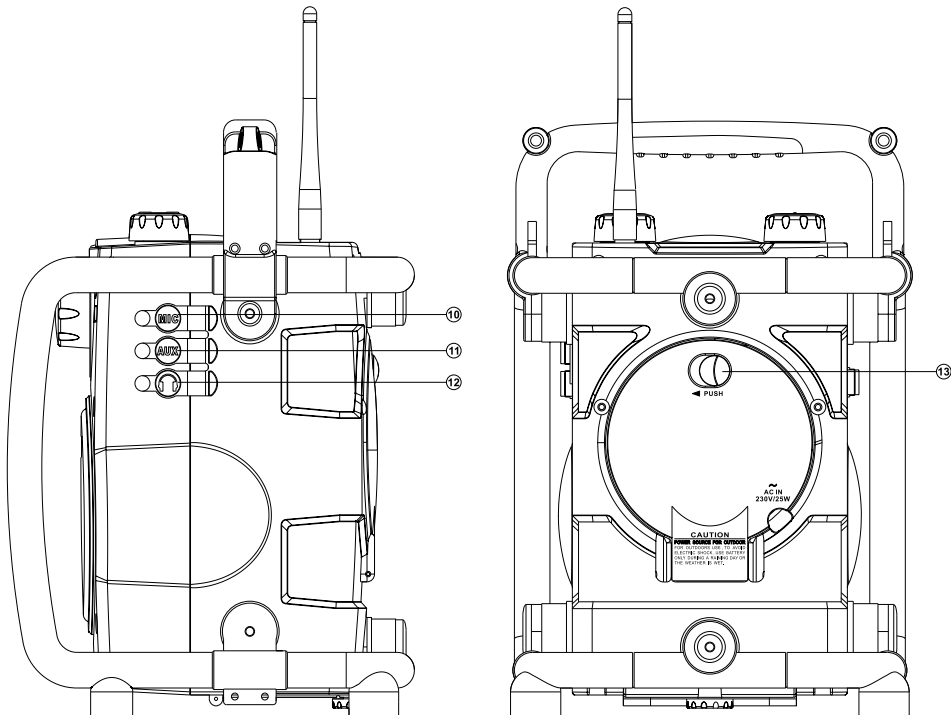
15

14

## Controls

- ① Power and AM/FM/AUX IN band selector
- ② Tuning LED indicator
- ③ Tuning Control
- ④ Volume Control
- ⑤ Battery Compartment
- ⑥ AUX/FM band indicator
- ⑦ LED illuminator switch
- ⑧ DC IN (9-14V) socket for vehicle and boat power
- ⑨ LED light
- ⑩ Microphone socket
- ⑪ AUX IN socket
- ⑫ Headphones socket
- ⑬ Open to AC cord compartment
- ⑭ Loudspeaker
- ⑮ AM band /Microphone indicator
- ⑯ Carrying Handle
- ⑰ Soft and bendable spring antenna
- ⑱ Dial scale

GB



## **Power the radio**

### *1. Battery operation*

Installing the batteries, first turn battery cover fixture anti-clockwise to loosen and put down the battery cover. Insert 6 x D size ( UM-1 ) battery into the compartment. Ensure the battery is inserted in accordance with the diagram shown.

Close the battery cover and fasten the fixture by turning clockwise. If the radio is not to be used for any extended period of time, it is recommended that the battery is removed from the radio.

### *2. AC operation*

Before you plug the AC cord into the AC socket, be sure the voltage is correct. If you have batteries in the radio and use the AC power cord , the batteries will automatically be disconnected.

Switch the “Open” to the AC cord compartment to OPEN position, pull back the compartment door and cylinder of the AC cord storage, pull out the AC cord to get the required length to the AC socket.

You can store the AC cord after use in the opposite way you pull out the AC cord.

### *3. Powered via DC IN socket*

The radio can be also powered via the DC IN socket which can allow 9-14 Volt DC. which is designed to be powered by the vehicle or the boat so you can take the radio with you outdoors or on the boat.

## Operating your radio FM

1. Turn on the radio by switching the Power knob to FM position.  
The FM band indicator will be lit on.
2. Rotate the Tuning Control to select the desired station.  
On FM, the tuning scale is marked in MHz ( Megahertz ).  
The Tuning LED will be lit on, if the radio station has been correctly tuned.
3. Adjust the Volume Control for comfortable listening.
4. To switch off the radio, turn the Power knob to OFF position.
5. The soft spring antenna is used for FM reception.

CB

## Operating your radio AM (MW)

1. Turn on your radio by switching the Power knob to AM position.  
AM band indicator will be lit on .
2. Rotate the Tuning Control to select the desired station.  
On AM, the tuning scale is marked in kHz ( Kilohertz ).  
The tuning LED will be lit on , if the radio station has been correctly tuned .
3. Rotate your radio for best AM reception.
4. Adjust the Volume Control for comfortable listening.
5. To switch off your radio , turn the Power knob to OFF position.

### **Headphones socket**

You can use a stereo or mono headphones set with a 3.5 mm plug for listening radio program via headphones. When you insert the headphones plug, the speaker is disconnected. This is a mono type radio, sound from the headphones set will be all in mono even if you apply a stereo headphones set.

### **AUX IN socket**

Switch the Band selector to AUX. position, the Aux. band indicator is lit on. Connect a stereo or mono audio source ( like CD walkman ) to this input to listen the audio program via the speaker.

### **Microphone IN socket**

Switch the Power/Band selector to either AM or FM or AUX. position. Connect wired microphone and adjust Volume Control, Microphone LED indicator is lighted on, the radio can act as microphone system. All the other audio program will be disconnected once microphone is plugged into the socket. The microphone used should be dynamic microphone with a 6.5 mm in diameter plug in jack.

### **LED Illuminator**

You can press and release the LED illuminator switch to give signal. If press harder and release, the LED illuminator is lit on for illumination purpose. Press the switch harder again to turn off the LED illuminator.

## Specifications

Frequency Coverage:

FM 87.50 - 108 MHz

AM 520 - 1710 kHz

GB

AC Power:

AC 120 V/60Hz/25W (USA)

AC 230 V/50 Hz/25W (Europe)

Batteries: 6 x UM-1 (D size)

DC IN:

12V/1A center pin positive (operational voltage 9-14V),  
5.5mm in diameter.

Output Power:

4 W 10% T.H.D. @ 100 Hz @ DC battery 9 V

7 W 10% T.H.D. @ 100 Hz @ AC 230 V or 120V.

Headphones socket:

3.5 mm diameter, stereo jack monaural output

Output power: 5 mW + 5 mW

AUX IN socket:

3.5 mm diameter, stereo jack to be mixed as monaural

Input sensitivity: 250m Vrms at output 5W @ 100 Hz

Input impedance: 47 kohm



MIC IN socket:

6.5 mm diameter, suits for Vocal Dynamic Microphone.

Speaker unit: 6.5 inches 8 ohm 15 W , full range

Internal Antenna system:

AM built-in ferrite aerial

FM built in removable bended spring antenna

LED illuminator: 3 x white LED, current consumption 50 mA

Battery life:

Approx. 30 hours using Alkaline batteries at 50 mW output power

Dimension: 262 x 385 x 271 mm

Weight: approx. 4.2 kgs.